



GENUINE PARTS

INSTALLATION INSTRUCTIONS

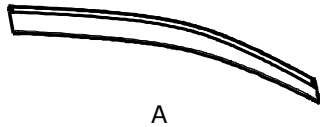
DESCRIPTION: Side Window Deflector

APPLICATION: Quest (2011)

PART NUMBER: H0800 1JA00

KIT CONTENTS:

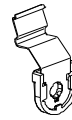
Item	Qty.	Part Description	Service Part Number
A	1	Side Window Deflector - Front Right	---
B	1	Side Window Deflector - Front Left	---
C	1	Side Window Deflector - Rear Right	---
D	1	Side Window Deflector - Rear Left	---
E	4	Bracket - Front	---
F	4	Bracket - Rear	---
G	1	Installation Instruction Replacement Template	---



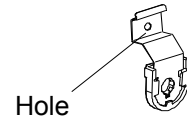
A



B



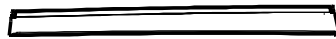
E



F



C



D



G

TOOLS REQUIRED:

- 90% Alcohol
- Masking tape
- Clean, lint-free wiping cloth
- Tape measure or scale

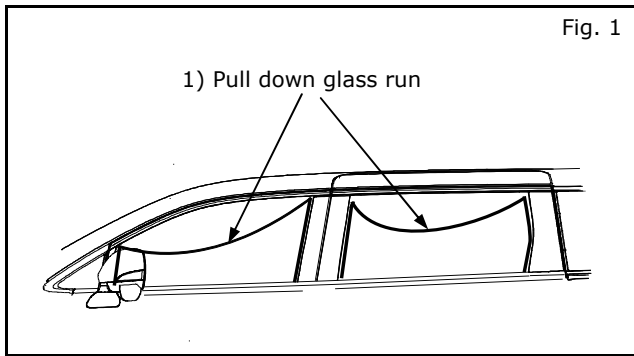
PRE-INSTALLATION WARNINGS, CAUTIONS, CRITICAL STEPS, and NOTES:

- Dealer Installation Recommended. Instructions may refer to Service Manual.
- These instructions are for left side of vehicle; same procedure applies to right side.

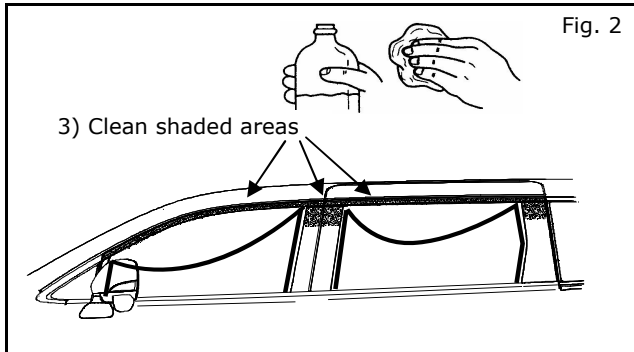
CAUTION

- Install the Side Window Deflector when the ambient temperature is above 60°F (15°C).
- Do not wash or expose the vehicle to a wet environment for 24 hours after installing the Side Window Deflector.

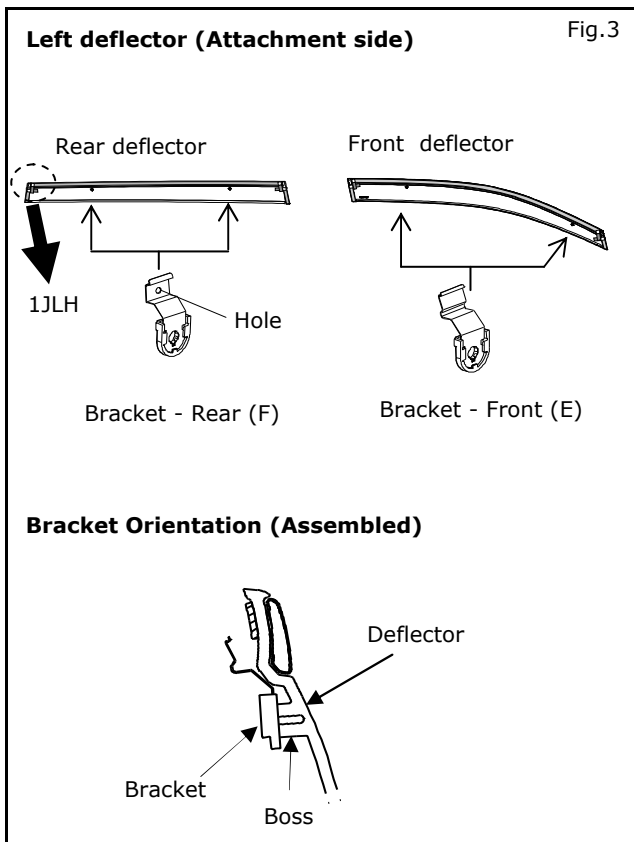
INSTALLATION PROCEDURE:



- 1) Lower windows completely.
- 2) Pull down upper portion of glass run.



- 3) Using a clean, lint-free wiping cloth and $\geq 90\%$ alcohol, wipe any dirt and oil from the installation surface. Let area dry thoroughly.

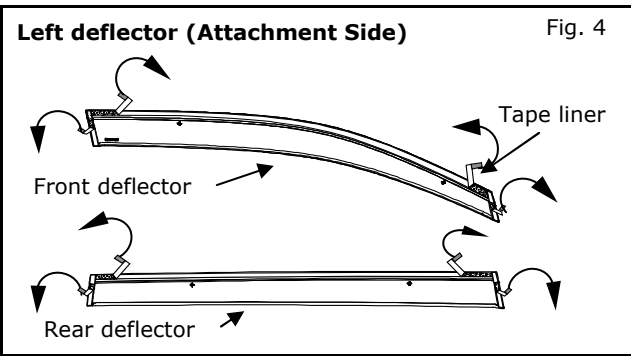


- 4) Assemble brackets to window deflector by pushing brackets firmly against boss on backside of deflector at marked locations.

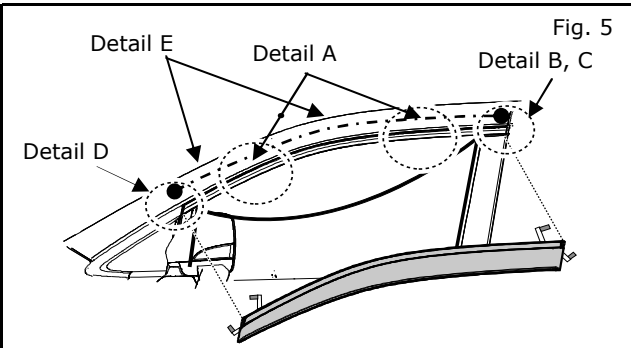
NOTE:

Once brackets are installed, they can not be removed. Be sure that brackets are installed on proper deflector and in proper orientation.

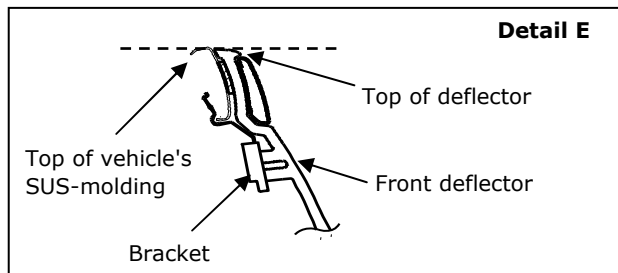
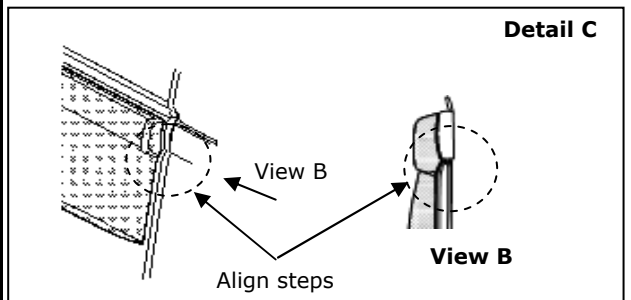
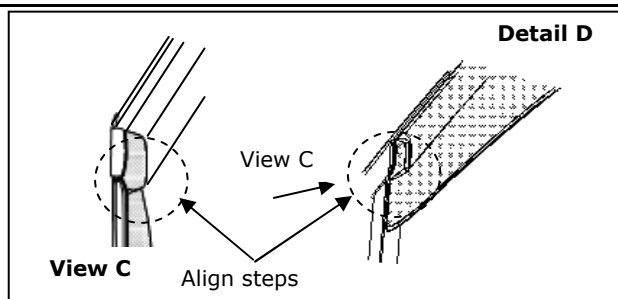
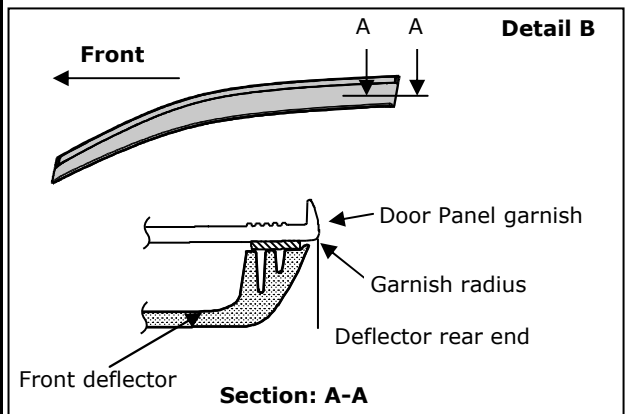
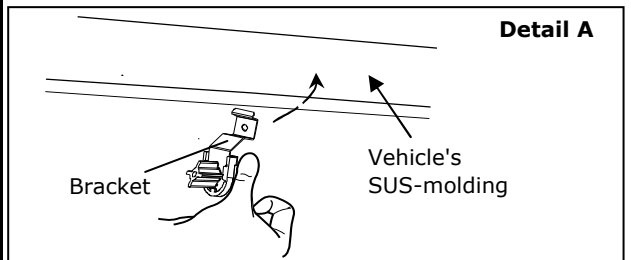
INSTALLATION PROCEDURE:



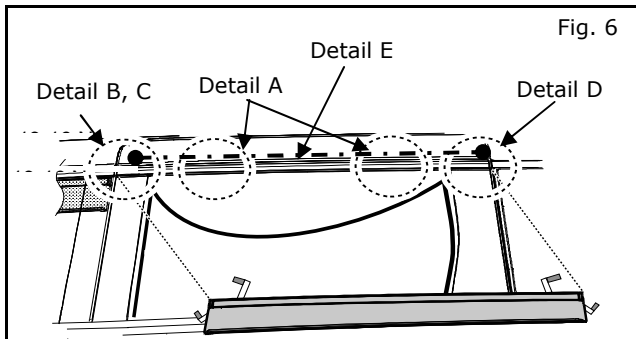
- 5) Peel back 20~30 mm of tape liner from double sided tape at each pull tab on front and rear deflector.
- 6) Fold tape liners onto deflector front surface and secure with masking tape.



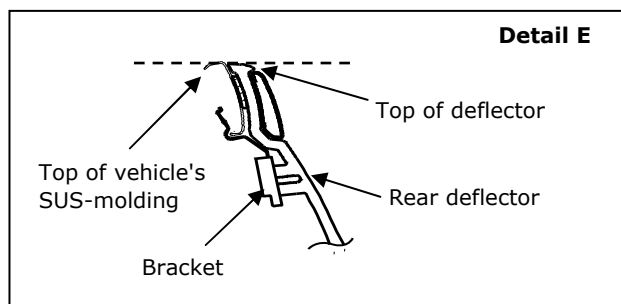
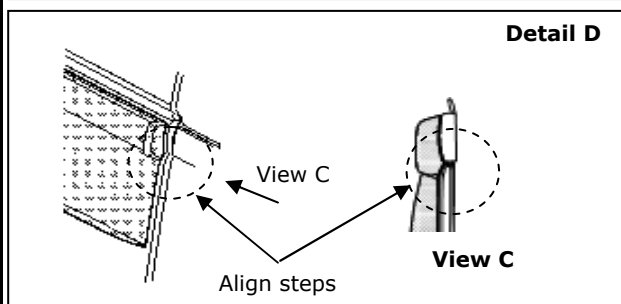
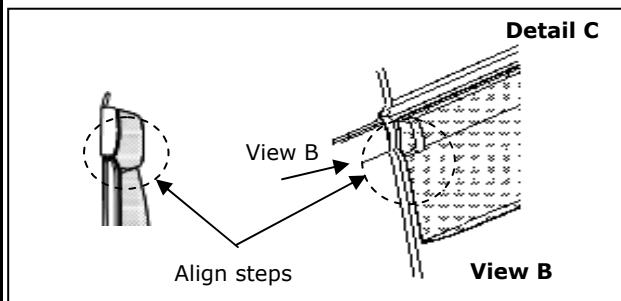
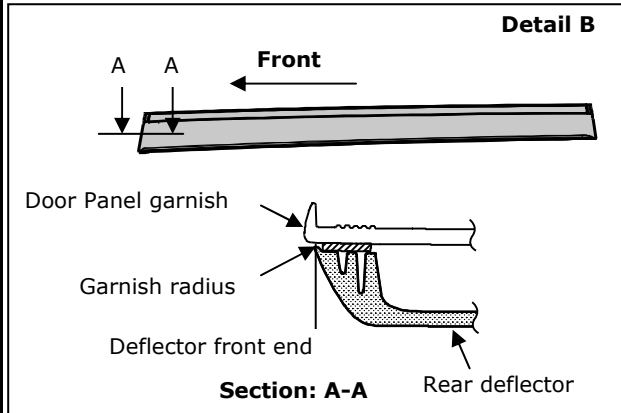
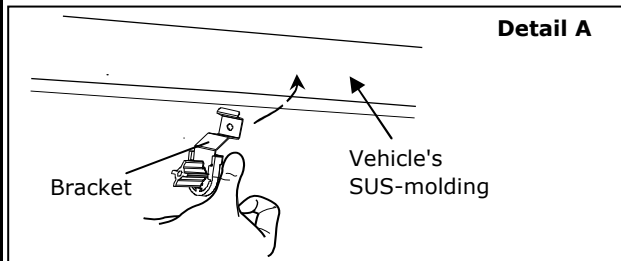
- 7) Install front deflector.
 - a) Attach bracket to vehicle's SUS-molding (see Detail A).
 - b) Align deflector rear end to door panel garnish radius (see Detail B) and rear end of deflector and door steps (see Detail C) and tack deflector in place.
 - c) Align front end of deflector and door steps and tack deflector in place (see Detail D).
 - d) Align top of deflector to top of vehicle's SUS-molding (see Detail E).



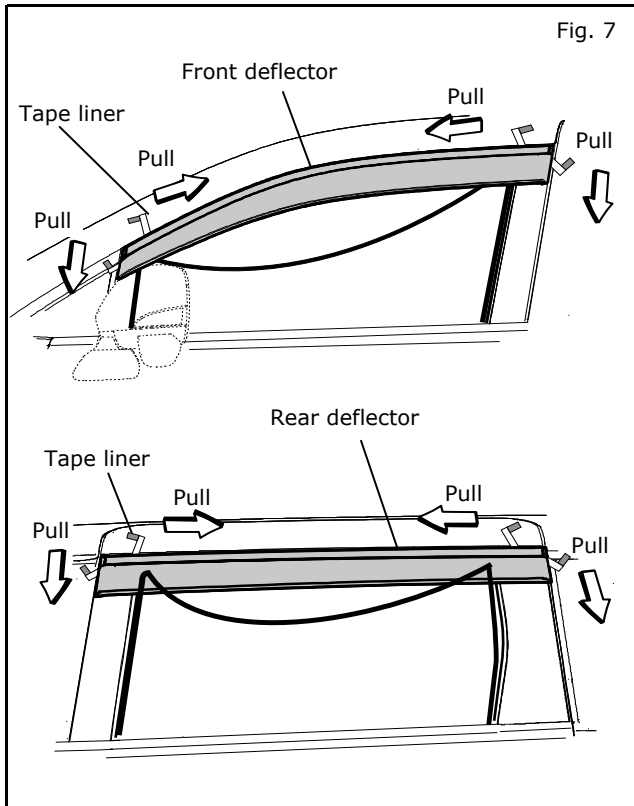
INSTALLATION PROCEDURE:



- 8) Install rear deflector.
 - a) Attach bracket to vehicle's SUS-molding (see Detail A).
 - b) Align deflector front end to door panel garnish radius (see Detail B) and front end of deflector and door steps (see Detail C) and tack deflector in place.
 - c) Align rear end of deflector and door steps and tack deflector in place (see Detail D).
 - d) Align top of deflector to top of vehicle's SUS-molding (see Detail E).



INSTALLATION PROCEDURE:



- 9) Remove tape liners and apply at least 15lbs. of pressure to front and rear deflectors at tape areas to ensure proper adhesion.

NOTE:

Remove tape liners slowly and carefully. If you remove vigorously, tape liners may break.

- 10) Re-install glass runs. Refer to vehicle service manual for more details if necessary.

- 11) Repeat all steps for right side.

FINAL INSPECTION:

- Open and close window to confirm that windows are functioning properly.
- Verify exterior is not damaged.